

Datasheet

LED Strip Specification

LED strip type:
LS24CT120X3527PLX

Description:
**LuxaLight LED Strip 24V Color Temperature Protected 3527
(24 Volt, 240 LEDs, 3527, IP64)**

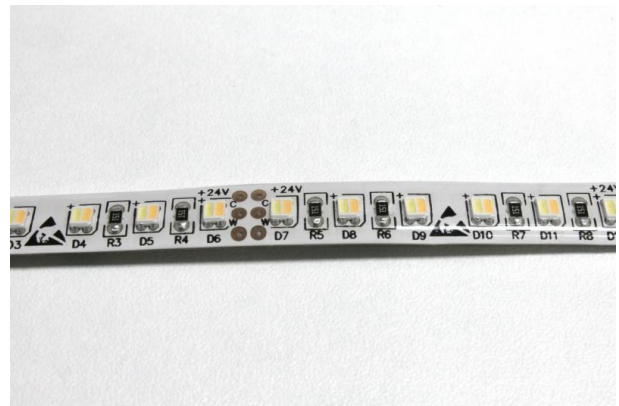


Date:
11-7-2015

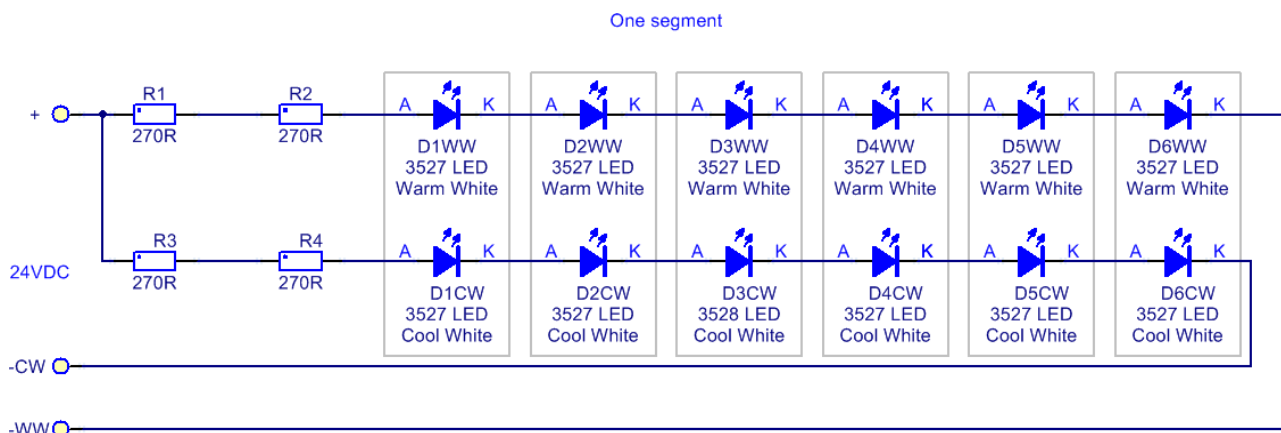
Page 1 of 6

Features:

- Super bright SMD3527 as the light source, high brightness, wide beaming angle with good consistent aperture and no shadow
- Use double-side imported rolled copper FPC, good folding endurance disconnected
- Low voltage DC24V, constant voltage drive
- Long life time is up to 100,000 hours
- All raw materials comply with CE, RoHS



Circuit Diagram:



Applications:

- Advertising Industry: slim light box, backlight of illuminated letters and outline of illuminated signs
- Decoration Industry: light decoration and interior lighting for all types of shops, super markets, furniture, etc
- Back lighting: back lighting and ideal atmosphere creating for leisure and entertainment places



Parameters:

Basic Parameters	
LED Type	3527 SMD CT
Color	Warm White / Cool White
CRI	≥ 80 Ra
Viewing Angle (θ)	120 ±5°
LED Qty	120 LEDs / mtr
IP grade	IP64
Dimensions Reel	5000 * 10 * 4mm
Weight	60g ~ 70g / meter
Lifespan	MTBF >100,000hours

Environment Parameters	
Working Temperature	-25°C ~ +70°C
Storage Temperature	-20°C ~ +60°C

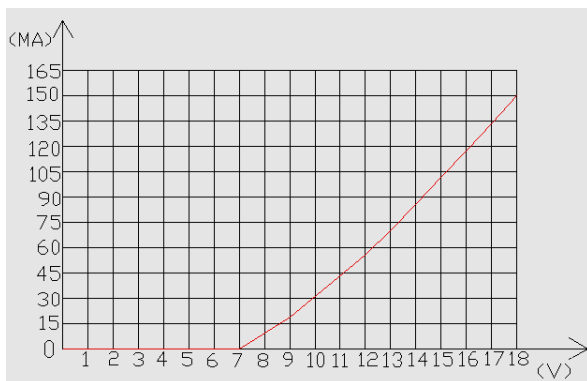
Electronic Specifications	
Working Voltage	DC24V
Working Current	0.8A / mtr
Working Wattage	19.2W / mtr
Driving Method	Constant Voltage

Wires & connection length	
Wires	UL1007 20# 150mm
Length per segment	50mm
LEDs / segment	12
Standard length in serial connection	5m
Maximum length in serial connection	5m

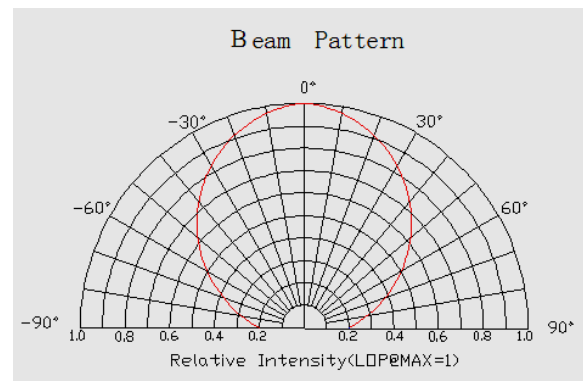
Luminous Flux (Lumen/Meter)	
Warm White	1022 Lumen
Cool White	1246 Lumen

Wave Length/ Color Temperature	(nm/k)
Warm White	2500 ~ 3000 K
Cool White	7000 ~ 8000 K

Volt-ampere Characteristic Curve:



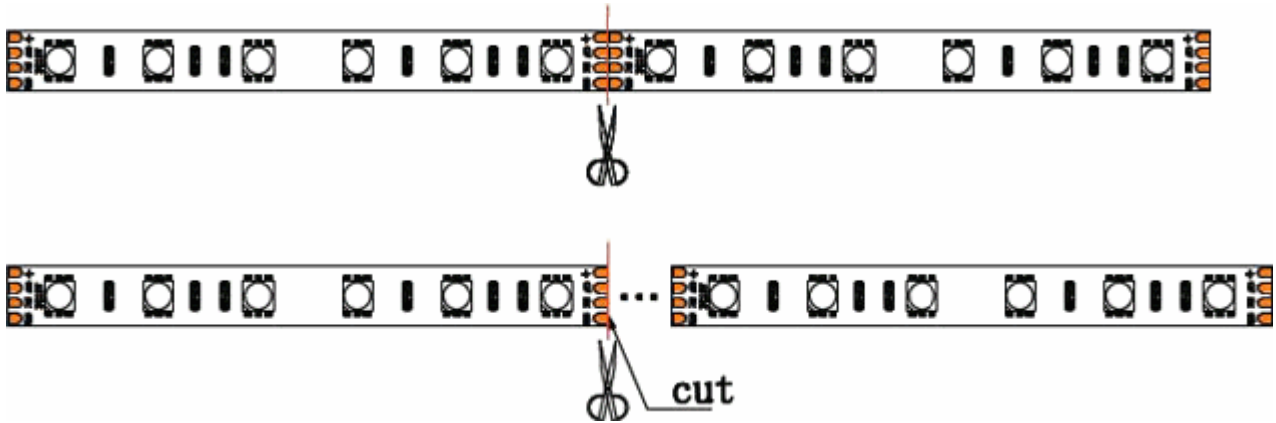
Optical Characteristics Curve:



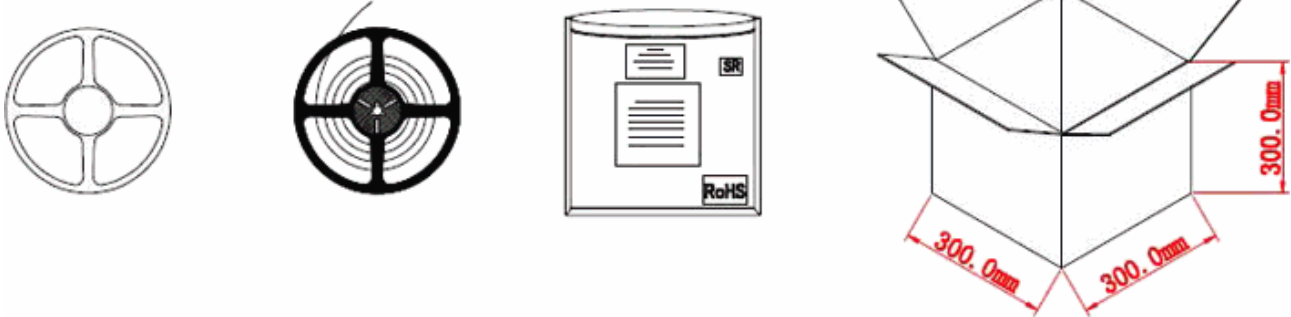
The Materials of PCB:

Epoxy PCB with white finishing.
Conducting Tracks: Cu, 35um thickness, double sided.

Solderings:
Solder Alloy: 99.3 Sn, 0.7 Cu,
Melting Temperature: 227°C
No SVHC (17-Dec-2014)



Packing:



Certificate of Conformity:

EC Council Directive 2004/108/EC
Electromagnetic Compatibility
Registration No.: ATE20120944

Complies to the Standards:

- EN 55015: 2006 + A1: 2007 + A2: 2009
- EN 61000-3-2: 2006 + A1: 2009 + A2: 2009
- EN 61000-3-3: 2008
- EN 61547: 2009

While LuxaLight has made every reasonable effort to ensure the accuracy of the information in this brochure, TE does not guarantee that it is error-free, nor does LuxaLight make any other representation, warranty or guarantee that the information is accurate, correct, reliable or current. LuxaLight reserves the right to make any adjustments to the information contained herein at any time without notice. LuxaLight expressly disclaims all implied warranties regarding the information contained herein, including, but not limited to, any implied warranties of merchantability or fitness for a particular purpose. The dimensions in this catalog are for reference purposes only and are subject to change without notice. Specifications are subject to change without notice. Consult LuxaLight for the latest dimensions and design specifications.